

Ice Defense Set-Up

A. Snap The Ice Defense (#1) Into Classic Base (#2) And Adjust To Correct Height*

Make Sure The Speed Control Switch (#3) On The Ice Defense Control Box Is In The Off Position Before Connecting To Battery Supply

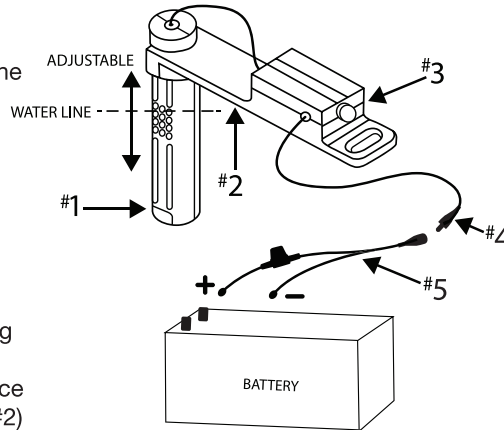
B. Connect Power Cable (#4) To The Quick Connect Battery Terminal Adapter (#5) And Position The Positive & Negative Connection to Each Terminal On The 12V Battery

C. Place The Ice Defense (#1) Into The Ice Fishing Hole To Where The Water Level In The Hole Is At The Height Of The Engraved Water Line On The Ice Defense (#1) And Make Sure The Classic Base (#2) Is Positioned On The Ice Above The Hole

The Ice Defense (#1) Can Be Adjusted To Height Of The Water Line At The Classic Base (#2)

Failure To Connect Correctly To Battery Supply Can Result In Damage To Ice Defense

Failure To Use A 3 Amp Fuse or Less On The Battery Terminal Adapter Can Result In Damage To Ice Defense



Limited Warranty

This Ice Defense Product Is Warranted Against Factory Defects In Material And Workmanship With A Limited 1-Year Warranty From Date Of Purchase Or Receipt As A Gift.

During The Warranty Period, Cold Nation Outdoors Will Repair Or At Its Option Replace At No Cost To You.

This Warranty Does Not Apply If The Product Has Been Damaged By Accident, Misuse Or As A Result Of Service Or Modification By Other Than The Factory.

Visit www.coldnationoutdoors.com For More Information.

A Sales Receipt With Date Of Purchase May Be Requested Before Service Work Is Done Under Warranty If No Warranty Registration Information Is On File. It Is Impossible To Establish A Date Of Purchase With Serial Number Or UPC Code.

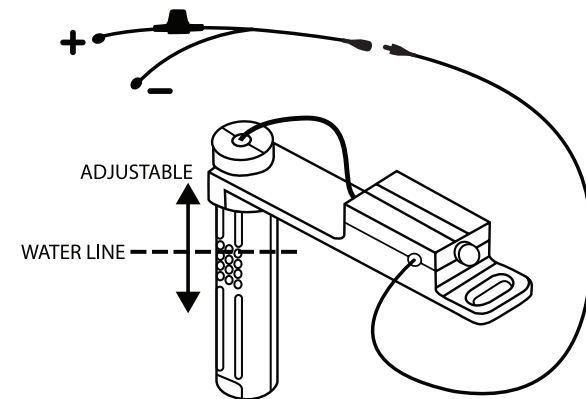
Additional Ice Defense Set-Up Instructional Videos
Available At COLDNATIONOUTDOORS.COM

This Product Is Intended For Ice Fishing Use Only

CLASSIC SERIES OWNER'S MANUAL

Includes:

- Quick Connect Battery Terminal Adapter
- Multi-Connect Terminal Fasteners
- Nylon Carry Case
- Cold Nation Decal



Power Requirements:

- 12V Battery Supply (**BATTERY NOT INCLUDED**)