

Ice Defense Set-Up

A. Connect The Flasher Transducer Line Or Camera Cable To The Quick Connect Transducer Line Clip (#10) At The Correct Position And Then Connect The Motor Cable (#8) To The Quick Connect Transducer Line Clip (#10)

B. Connect 1 Multi-Connect Terminal Fastener (#7) To The Positive Wire (Red Wire) On The Quick Connect Battery Terminal Adapter (#4)

C. Connect 1 Multi-Connect Terminal Fastener (#7) To The Negative Wire (Black Wire) On The Power Cable (#4)

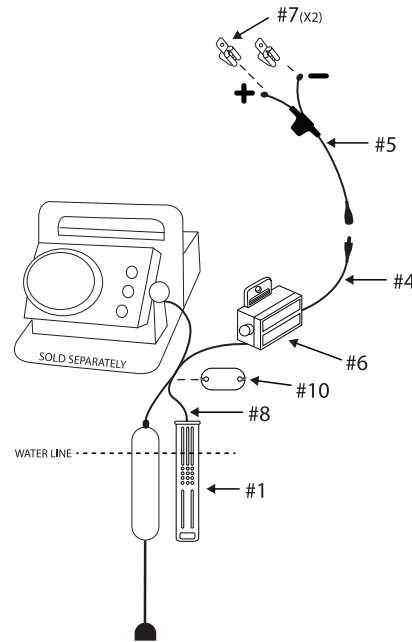
Make Sure The Speed Control Switch On The Ice Defense Control Box (#6) Is In The Off Position Before Connecting To Battery Supply

D. Connect Power Cable (#4) To The Quick Connect Battery Terminal Adapter (#5) And Position The Positive & Negative Connection to Each Terminal On The Battery Of The Flasher Or Camera System Of Choice

E. Place The Ice Defense (#1) Into The Ice Fishing Hole To Where The Water Level In The Hole Is At The Height Of The Engraved Water Line

Failure To Connect Correctly To Battery Supply Can Result In Damage To Ice Defense

Failure To Use A 3 Amp Fuse or Less On The Battery Terminal Adapter Can Result In Damage To Ice Defense



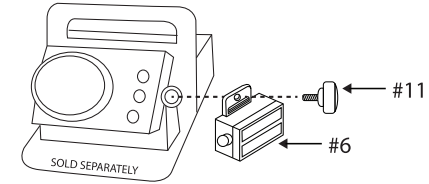
Mounting Ice Defense Control Box To Flasher Or Camera System

Gimbal Mount Installation

A. Remove Existing Gimbal Knob (#11) From The Flasher Or Camera System Gimbal Bracket By Turning Counter Clockwise

B. Place Existing Gimbal Knob (#11) Or Ice Defense Gimbal Knob In Hole Of The Ice Defense Control Box (#6) And Turn Clockwise Into The Gimbal Bracket Until Tight

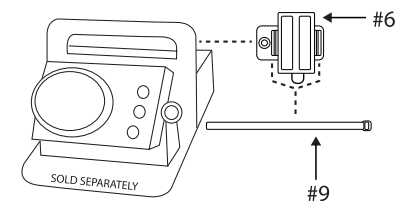
Note: Make Sure Not To Over Tighten Gimbal Knob (#10)



Velcro Strap Installation (Included)

A. Loop The Provided Velcro Strap (#9) Through The 4 Velcro Strap Slots On The Ice Defense Control Box (#6)

B. Strap The Ice Defense Control Box (#6) To The Handle Or Any Location On The Flasher Or Camera System



Want To Connect Directly To Your Systems Charging Port?
Additional Ice Defense Set-Up Instructional Videos
Available At COLDNATIONOUTDOORS.COM

This Product Is Intended For Ice Fishing Use Only

**Additional Quick Connect Power Adapters
Sold Separately**

Vexilar Adapter
CN60002-1



Vexilar Power Splitter
CN60005-1



Marcum Shuttle Adapter
CN60003-1



4' Power Extension
CN60006-1



Marcum Universal Adapter
DCN60004-1



12V Socket Adapter
CN60007-1



Limited Warranty

This Ice Defense Product Is Warranted Against Factory Defects In Material And Workmanship With A Limited 1-Year Warranty From Date Of Purchase Or Receipt As A Gift.

During The Warranty Period, Cold Nation Outdoors Will Repair Or At Its Option Replace At No Cost To You.

This Warranty Does Not Apply If The Product Has Been Damaged By Accident, Misuse Or As A Result Of Service Or Modification By Other Than The Factory.

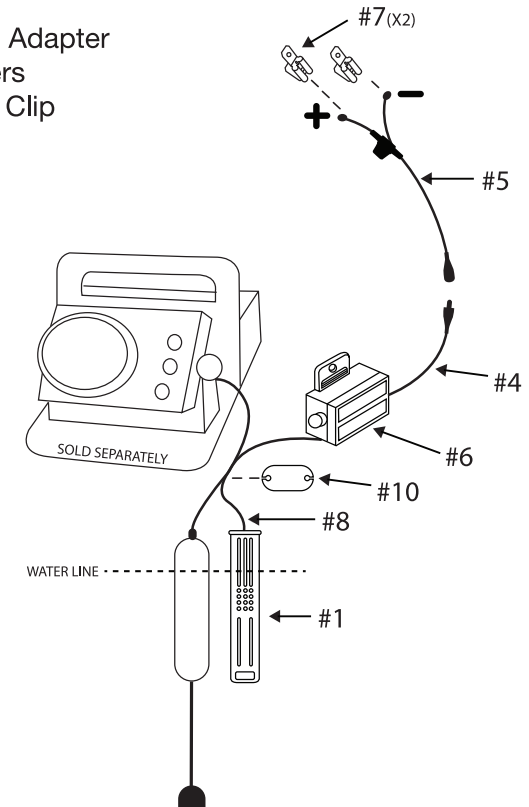
Visit www.coldnationoutdoors.com For More Information.

A Sales Receipt With Date Of Purchase May Be Requested Before Service Work Is Done Under Warranty If No Warranty Registration Information Is On File. It Is Impossible To Establish A Date Of Purchase With Serial Number Or UPC Code.

PRO SERIES OWNER'S MANUAL

Includes:

- Quick Connect Battery Terminal Adapter
- Multi-Connect Terminal Fasteners
- Quick Connect Transducer Line Clip
- Universal Velcro Strap
- Nylon Carry Case
- Cold Nation Decal



Compatible With:

- Vexilar, Marcum, Lowrance, Humminbird, Aqua-Vu, Garmin & Most Wheel House Brands

Power Requirements:

- 12V Battery Supply (**BATTERY NOT INCLUDED**)

***Marcum Lithium Shuttle Owner's:** Ice Defense Requires A Marcum Shuttle Quick Connect Power Adapter (**SOLD SEPARATELY**)*